

## **COOLSET**

### **Dedocool Cool Light Kit**



Consists of:

- 2 COOLH Dedocool light head
- 1 COOLT3 Transformer with mains cable
- 2 DBD Barn door
- 2 DST Stand
- 4 COOLAMP Lamp 24V 250W
- 1 DCHDCOOL Hard case

Weight: 17.4 kg (38.4 lb.)

Size: 57 x 43 x 26 cm (22.5 x 17 x 10")

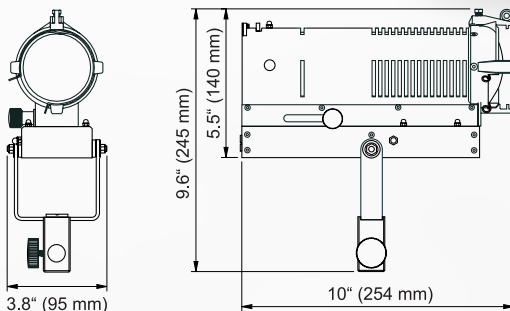


### COOLH Dedocool Tungsten Light Head

The first light designed expressly to meet the special requirements of ultra high speed film making and videography. The Dedocool utilizes a low wattage, low voltage lamp working in combination with a unique optical system and a special reflector which concentrates an intense amount of light over a highly concentrated area. Two carefully matched heat reflecting filters and transmitting mirror, route the heat through two forced air ventilators and out the back of the head. Over short periods of time, heating of the subject is negligible. Even after prolonged shooting sessions, ambient close range temperature could best be described as "warm."

#### Technical Data: COOLH

Weight:	1.84 kg (4 lbs)
Lamp:	24 V 250 W (ELC) Osram HLX 64653 or equivalent
Cable length:	690 cm (22' 8")
Mounting:	Standard 16 mm (5/8") receptacle
Input voltage:	21 - 27 VAC (from COOLT3)



### COOLT3 Transformer Control Unit

This Power Supply/Control Unit can simultaneously power two Dedocool tungsten light heads. Its AC power input can be set for every AC power in the world from 110V to 240V in 6 steps. Each light (output) can be individually and independently switched in four distinct steps, each increasing color temperature and output:

1. Set up position - approx. 3000 K - 21 V
2. Operating position - approx. 3200 K - 24 V
3. Boost position - approx. 3300 K - 27 V

The COOLT3 incorporates an input voltage indicator, enabling the user to determine correct input voltage at a glance and to control color temperature precisely.

#### Technical Data: COOLT3

Weight:	4.56 kg (10.2 lbs)
Input voltage:	110V - 240VAC (switchable, 6 steps)
Output voltage:	2 x 21 - 27 VAC (in three steps)
Safety:	Red LED indicator for each output indicating cool down period. Fused input and outputs

