

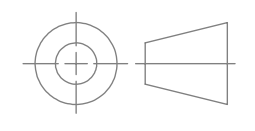
PROPRIETARY AND CONFIDENTIAL
 THE INFORMATION CONTAINED IN THIS DRAWING IS THE SOLE PROPERTY OF VISION RESEARCH. ANY REPRODUCTION IN PART OR AS A WHOLE WITHOUT THE WRITTEN PERMISSION OF VISION RESEARCH IS PROHIBITED.

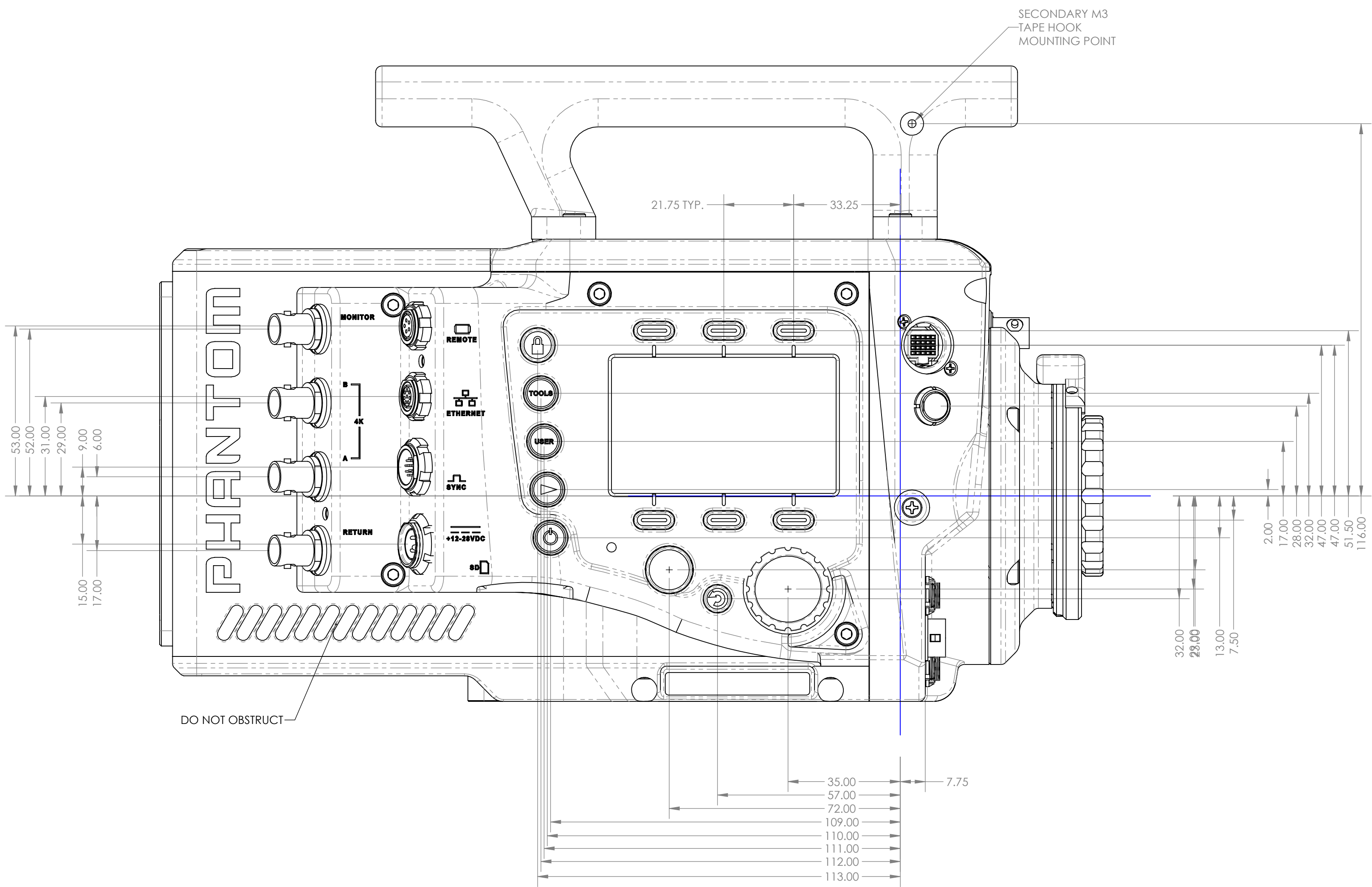
UNLESS OTHERWISE SPECIFIED:	NAME	DATE
DIMENSIONS ARE IN MM	DRAWN	PJ 7-11-13
TOLERANCES:	CHECKED	
FRACTIONAL: ±1/64	ENG APPR.	
ANGULAR: MACH ±0.5	MFG APPR.	
ONE PLACE: ±0.25	Q.A.	
TWO PLACE: ±0.13		
INTERPRET GEOMETRIC TOLERANCING PER:		
MATERIAL		
SEE NOTES		
FINISH		
SEE NOTES		
APPLICATION		
DO NOT SCALE DRAWING		

SIZE	DWG. NO.	REV
C		N/A
SCALE 1:5		SHEET 1 OF 5

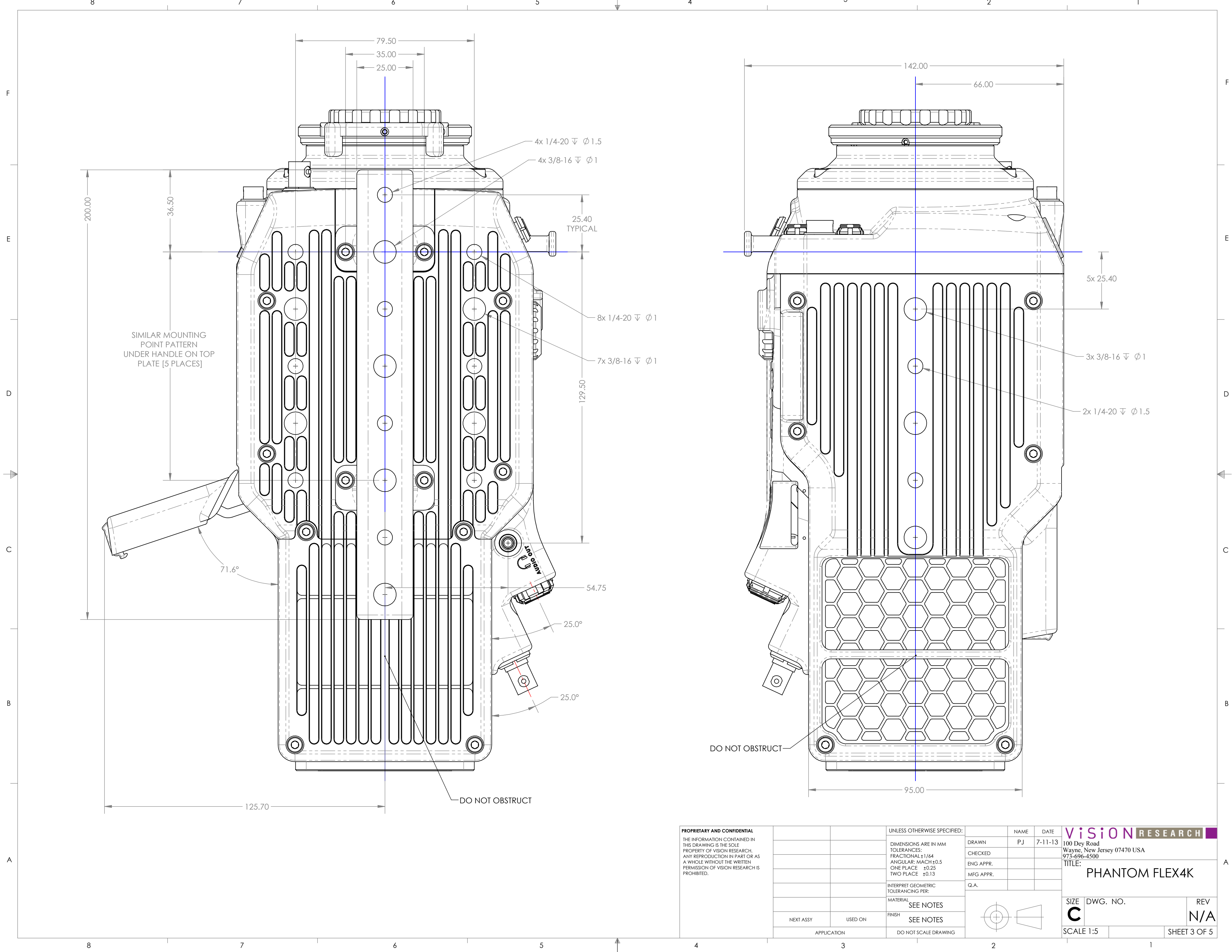
VISION RESEARCH
 100 Dey Road
 Wayne, New Jersey 07470 USA
 973-696-4500

TITLE:
PHANTOM FLEX4K

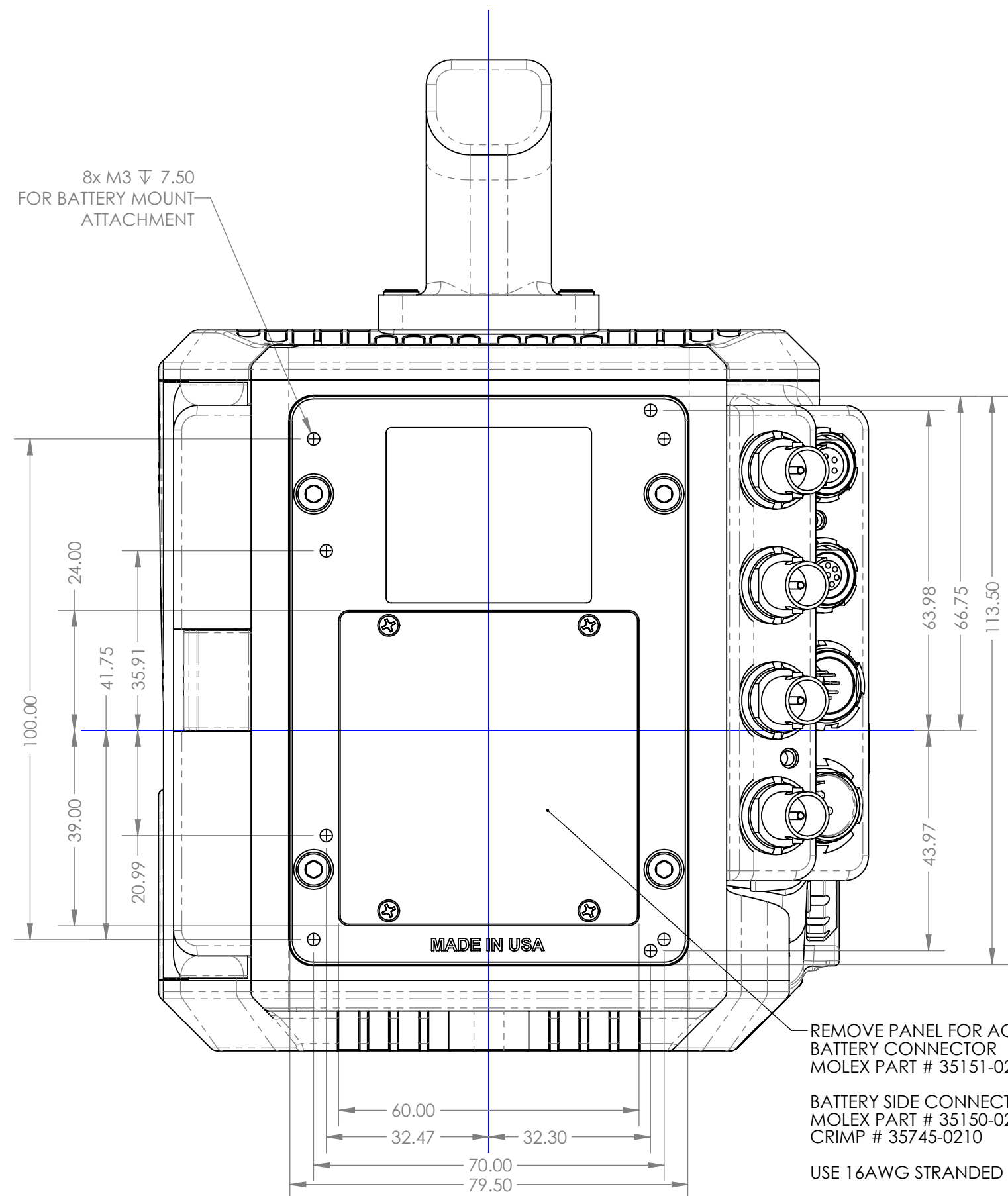
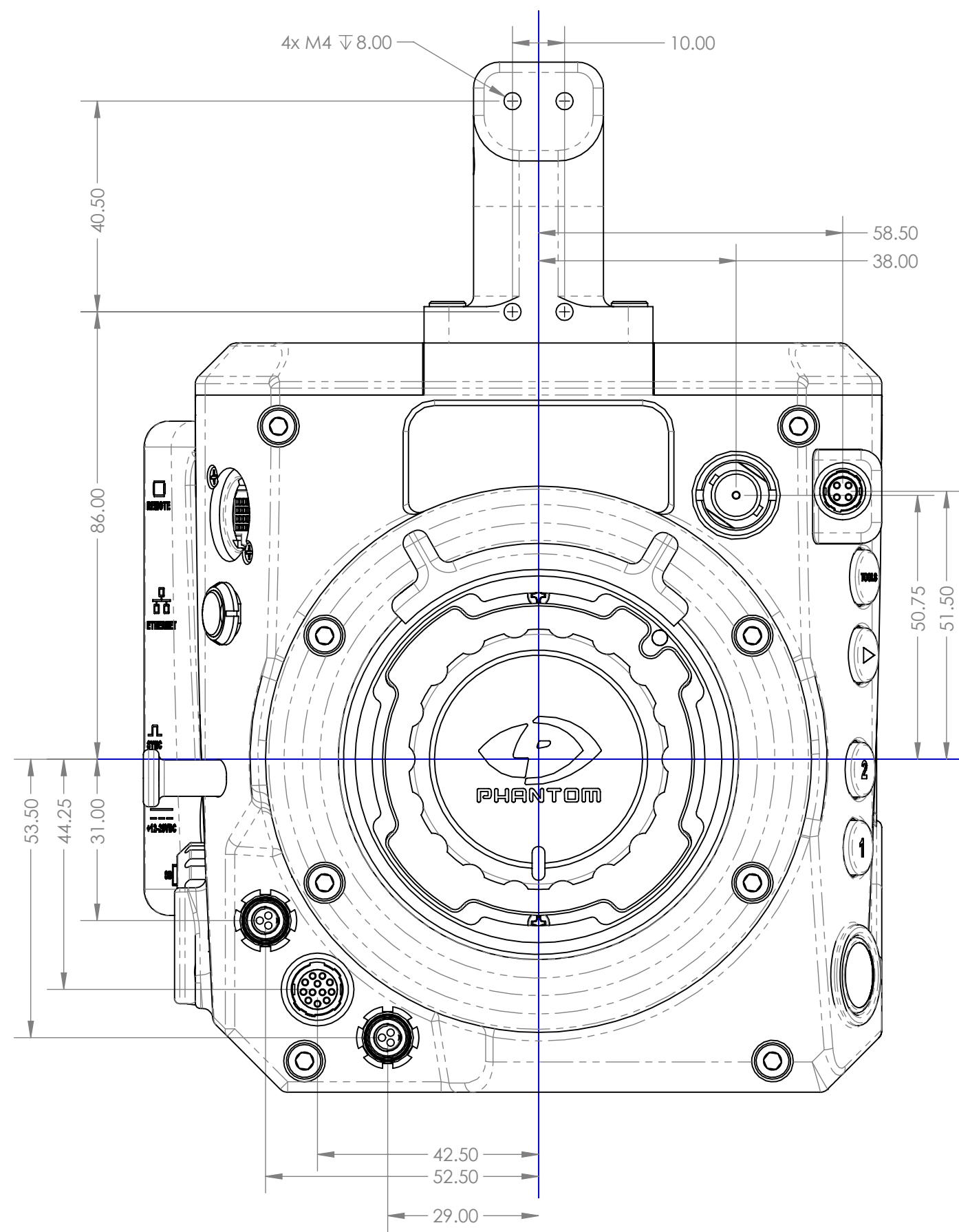




PROPRIETARY AND CONFIDENTIAL THE INFORMATION CONTAINED IN THIS DRAWING IS THE SOLE PROPERTY OF VISION RESEARCH. ANY REPRODUCTION IN PART OR AS A WHOLE WITHOUT THE WRITTEN PERMISSION OF VISION RESEARCH IS PROHIBITED.		UNLESS OTHERWISE SPECIFIED: DIMENSIONS ARE IN MM TOLERANCES: FRACTIONAL: ±1/64 ANGULAR: MACH±0.5 ONE PLACE ±0.25 TWO PLACE ±0.13		NAME P.J.	DATE 7-11-13	VISION RESEARCH 100 Dey Road Wayne, New Jersey 07470 USA 973-696-4500 TITLE: PHANTOM FLEX4K
NEXT ASSY		USED ON		DRAWN	ENG APPR.	
APPLICATION		DO NOT SCALE DRAWING		SEE NOTES		SIZE DWG. NO. REV C N/A
				SCALE 1:1		SHEET 2 OF 5



PROPRIETARY AND CONFIDENTIAL THE INFORMATION CONTAINED IN THIS DRAWING IS THE SOLE PROPERTY OF VISION RESEARCH. ANY REPRODUCTION IN PART OR AS A WHOLE WITHOUT THE WRITTEN PERMISSION OF VISION RESEARCH IS PROHIBITED.		UNLESS OTHERWISE SPECIFIED: DIMENSIONS ARE IN MM TOLERANCES: FRACTIONAL: ±1/64 ANGULAR: MACH ±0.5 ONE PLACE: ±0.25 TWO PLACE: ±0.13 INTERPRET GEOMETRIC TOLERANCING PER: MATERIAL: FINISH: SEE NOTES		NAME P.J.	DATE 7-11-13	VISION RESEARCH 100 Dey Road Wayne, New Jersey 07470 USA 973-696-4500 TITLE: PHANTOM FLEX4K	
NEXT ASSY	USED ON	APPLICATION	DO NOT SCALE DRAWING	ENG APPR.	MFG APPR.		Q.A.
					SIZE C	DWG. NO.	REV N/A
					SCALE 1:5	SHEET 3 OF 5	



REMOVE PANEL FOR ACCESS TO BATTERY CONNECTOR
MOLEX PART # 35151-0210

BATTERY SIDE CONNECTOR:
MOLEX PART # 35150-0200
CRIMP # 35745-0210

USE 16AWG STRANDED WIRE ONLY

PROPRIETARY AND CONFIDENTIAL
THE INFORMATION CONTAINED IN THIS DRAWING IS THE SOLE PROPERTY OF VISION RESEARCH. ANY REPRODUCTION IN PART OR AS A WHOLE WITHOUT THE WRITTEN PERMISSION OF VISION RESEARCH IS PROHIBITED.

UNLESS OTHERWISE SPECIFIED:
DIMENSIONS ARE IN MM
TOLERANCES:
FRACTIONAL ± 1/64
ANGULAR: MACH ± 0.5
ONE PLACE ± 0.25
TWO PLACE ± 0.13

INTERPRET GEOMETRIC TOLERANCING PER:
MATERIAL
FINISH
SEE NOTES

DO NOT SCALE DRAWING

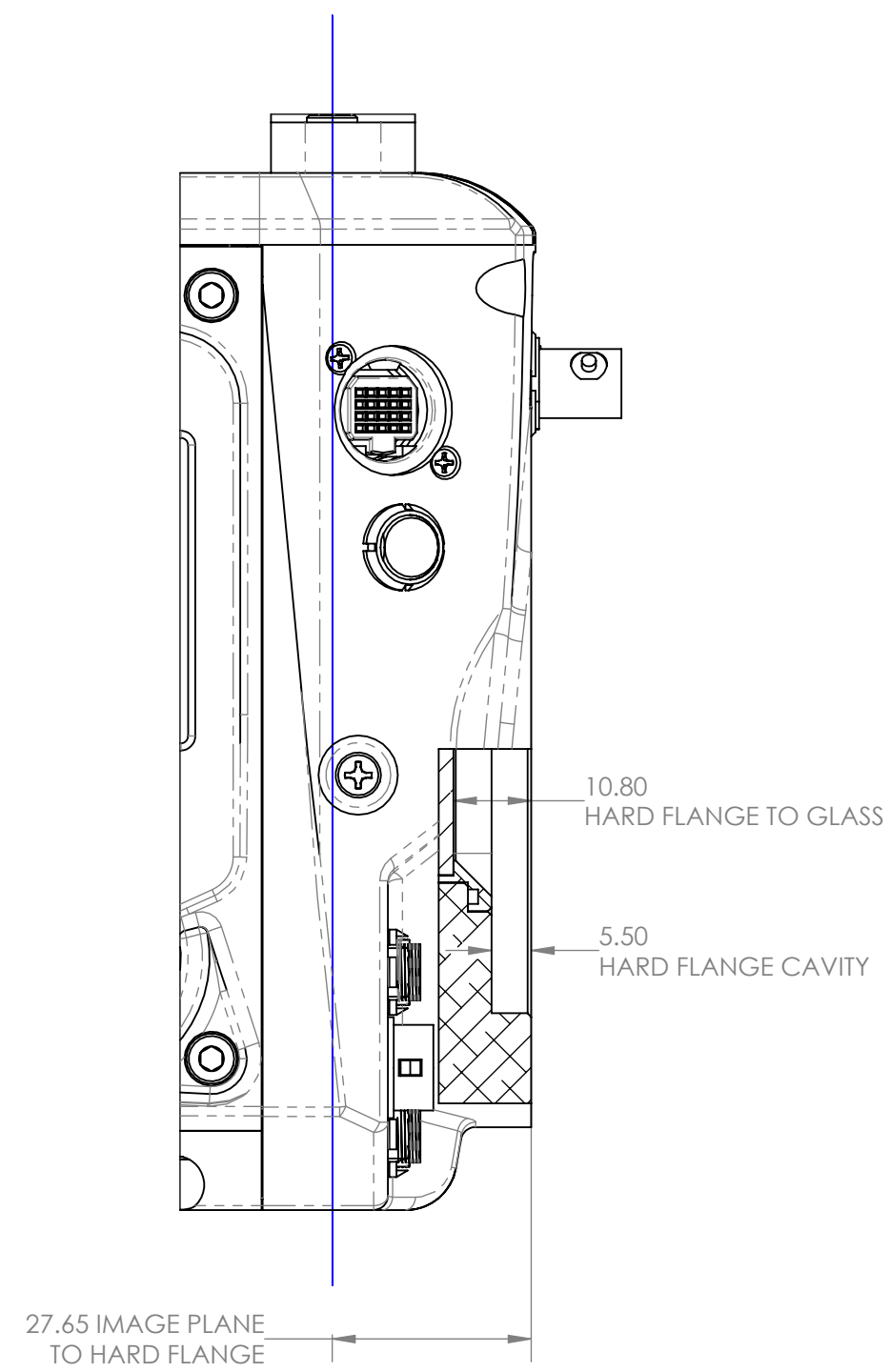
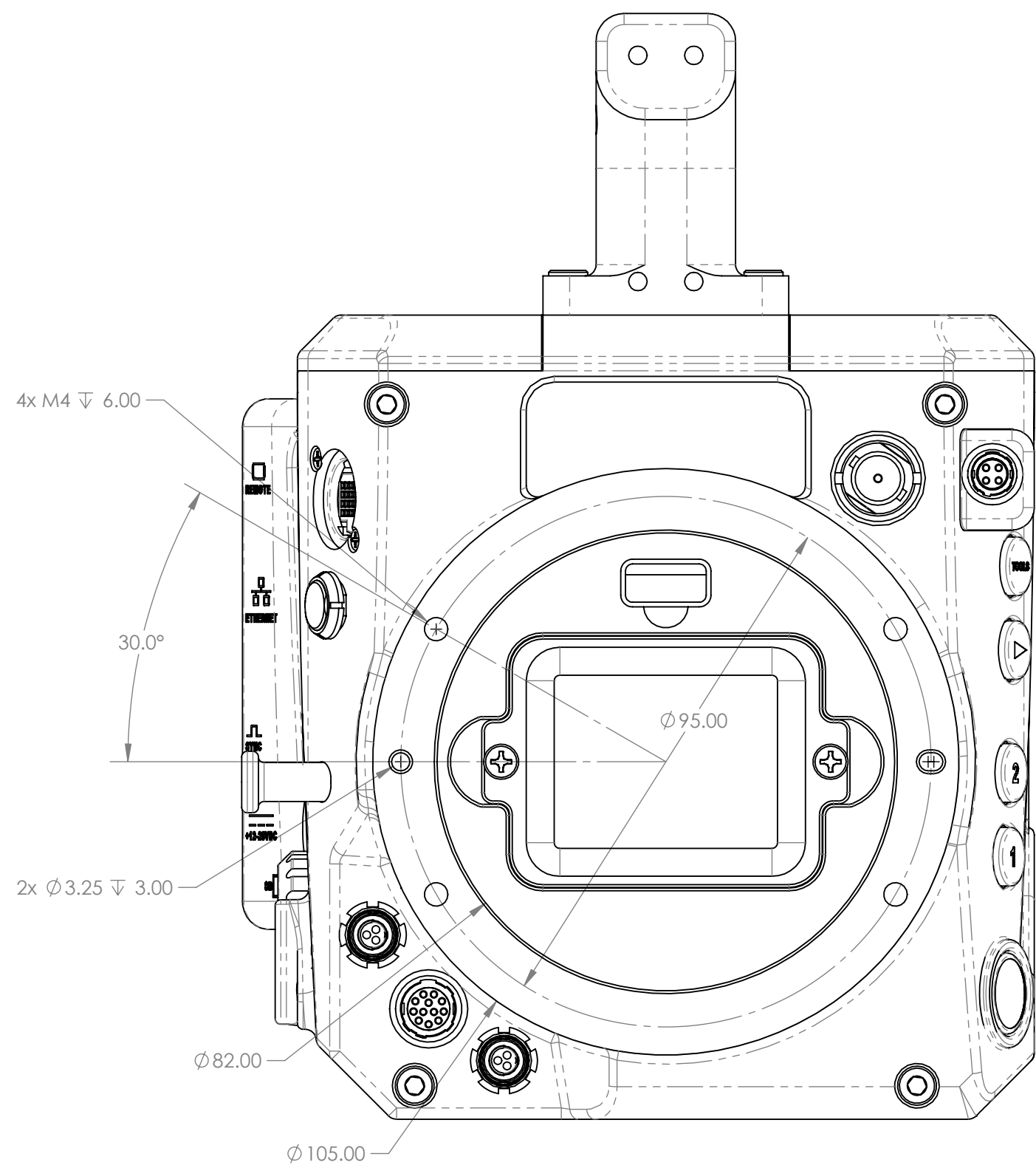
NAME	PJ	DATE	7-11-13
DRAWN			
CHECKED			
ENG APPR.			
MFG APPR.			
Q.A.			

VISION RESEARCH
100 Dey Road
Wayne, New Jersey 07470 USA
973-696-4500

TITLE:
PHANTOM FLEX4K

SIZE	DWG. NO.	REV
C		N/A
SCALE 1:5		SHEET 4 OF 5





PROPRIETARY AND CONFIDENTIAL
 THE INFORMATION CONTAINED IN THIS DRAWING IS THE SOLE PROPERTY OF VISION RESEARCH. ANY REPRODUCTION IN PART OR AS A WHOLE WITHOUT THE WRITTEN PERMISSION OF VISION RESEARCH IS PROHIBITED.

UNLESS OTHERWISE SPECIFIED:
 DIMENSIONS ARE IN MM
 TOLERANCES:
 FRACTIONAL $\pm 1/64$
 ANGULAR: MACH ± 0.5
 ONE PLACE ± 0.25
 TWO PLACE ± 0.13

DRAWN	PJ	DATE	7-11-13
CHECKED			
ENG APPR.			
MFG APPR.			
Q.A.			

VISION RESEARCH
 100 Dey Road
 Wayne, New Jersey 07470 USA
 973-696-4500

TITLE:
PHANTOM FLEX4K

NEXT ASSY	USED ON	SEE NOTES
APPLICATION		DO NOT SCALE DRAWING



SIZE	DWG. NO.	REV
C		N/A
SCALE 1:5		SHEET 5 OF 5