

DENSO

Member of the TOYOTA Group

Superior ID-Technology



Bar Code Handy Terminal



HC-361 Series

All-round high-performance scanner –
high-speed, high-resolution scanning

Note

Read the user manual carefully before operating the device.
Technical data may change at any time and without prior notice.
Status of data: June 2004.



Denso's bar code scanner model HC-36II now offers the high quality and userfriendliness of its predecessor in ultra light form. The HC-36II allows both CCD touch scanning and barcode scanning over larger distances.

Numerous connection possibilities – including RS-232C, OCIA, CMOS/Bar Image and keyboard emulation – enables a broad range of applications such as cash desk terminals, sales, production, office automation etc.

Functional features

Ultra light and ergonomically shaped

Weighs even less than previous lightweight models: only 120 g (without cable) – ideal for comfortable daily use.

CCD (Charged Coupled Device) Technology

- No moving parts
- Particularly robust

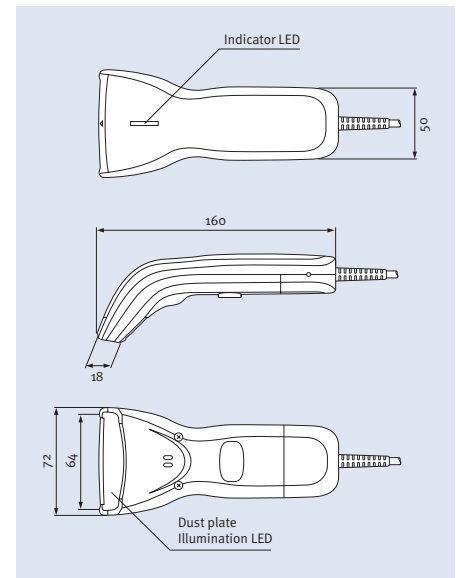
Reading of broader barcodes

This device scans codes up to 200 mm wide, something that has up to now been a problem for conventional CCD scanners – thus enabling a wider range of application, e.g. in sales.

Various models

Models with traditional contact scanning or new long-distance scanning include a large number of connection possibilities, such as RS-232C, OCIA, CMOS/Bar Image and keyboard emulation.

Dimensions (in mm)



Technical Data

HC-36II	
Scanner	
Trigger Switch	Option
Readable Bar Codes	EAN-13/8, UPC-A/E/D3, UPC/EAN with supplemental codes, ITF, CODABAR, CODE39, CODE93, CODE128
Resolution	Touch scanning Type 0.125 mm
Reading Width	Touch Scanning Type 61 mm
	Longer-range Scanning Type 200 mm ⁽¹⁾
Communications	
Interface	RS-232C, OCIA, CMOS/BARIMAGE and keyboard emulation
Power	5 VDC
Power Consumption (at 5 V DC)	Reading: 85 mA typ., Standby: 30 mA typ.
Weight	120 g (excluding cable)

(1): When reading bar codes from a distance of 150 mm under the following conditions:
Ambient illumination min. 500 lux; PCS value: min. 0.9; minimum bar width 1 mm.

Company Stamp